



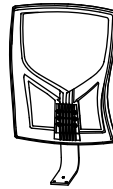
Castors(5X)



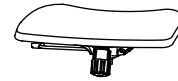
Base(1X)



Cylinder(1X)



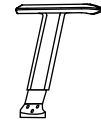
Back(1X)



Seat(1X)



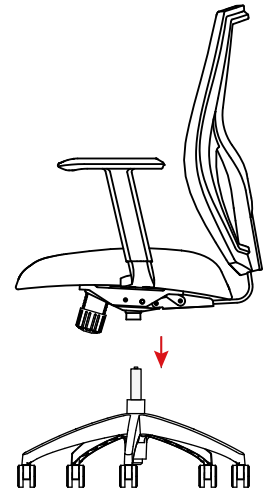
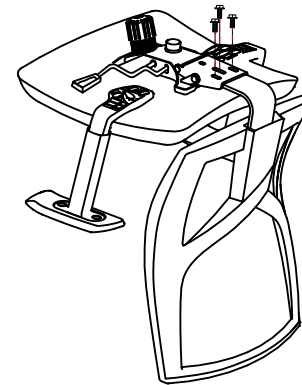
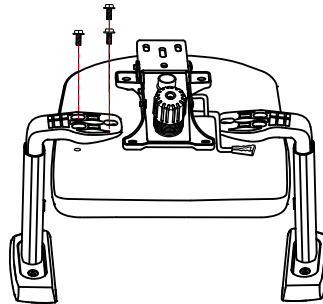
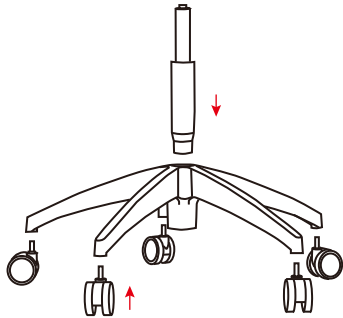
M8 Bolts  
to back(3X)



Arms(2X)



1/4" Bolts  
to arm(6X)



1. Place the Cylinder and Castors firmly into the Base.

2. Adjust the right and left armrests and make sure that they are in symmetry, then tight all screws to the armrests.

3. Assemble the Back to the Seat, tighten the Screws firmly.

4. Insert Cylinder into the housing of the Mechanism attached to the Seat.

**Warning!** Upon completion of the final assembly step, locate and place chair on level ground. **Make sure all 4 glides are level. Do not stand on this chair.** Use this product for seating one person at a time. Do not use this chair unless all bolts, screws are firmly secured. **Check the following at 4 month intervals:** All exposed fasteners should be checked and any loose fasteners tightened. Use appropriate tools. Replace any fasteners that appear to be damaged in any way. The chair frame should be checked for looseness, excessive wear or sing of damage.