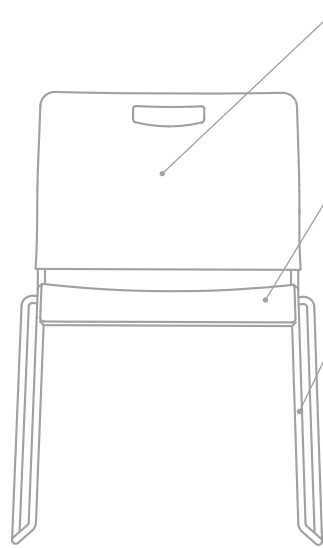


FEATURES



THERMOPLASTIC SHELL

available in 11 colors.

PLASTIC ARMREST COVERS

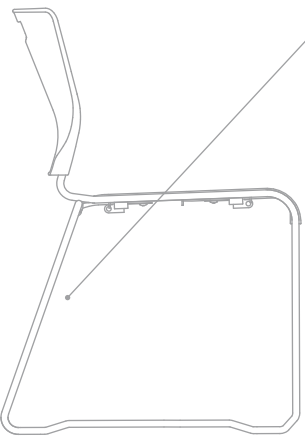
match plastic shell cover.

UPHOLSTERED SEAT OPTION

provides another level of comfort and style.

CHROME FINISHED

in a sled shape frame.



WALL SAVER LEGS

provide an integrated chair back protection feature by preventing contact with walls.

WITH OPTIONAL DL3 CART

Kelley stacks 33 chairs high while maintaining clearance under 80" doorway. On the floor Kelley stacks nine chairs high.

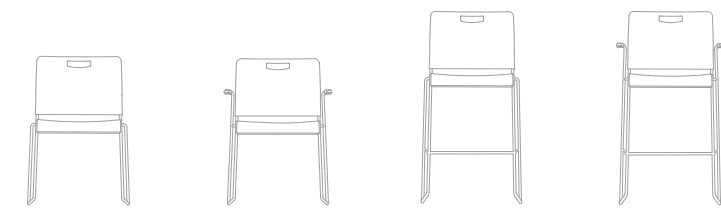
Kelley

NOTHING STACKS UP
TO THE KELLEY

9to5[®]
seating



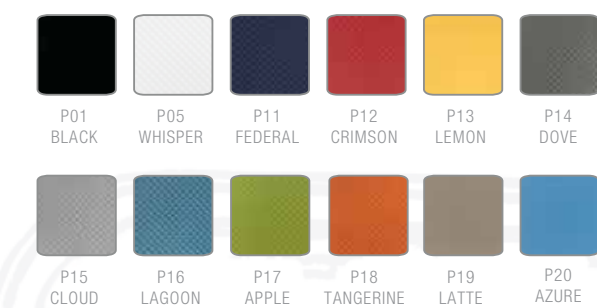
STATEMENT OF LINE



| | GUEST 1060-GT | GUEST 1070-GT | STOOL 1066 | STOOL 1076 |
|----------------|--------------------------|--------------------------|-----------------------|-----------------------|
| OVERALL WIDTH | 23.0 | 24.0 | 23.0 | 22.0 |
| OVERALL DEPTH | 21.0 | 21.0 | 21.0 | 21.5 |
| OVERALL HEIGHT | 31.0 | 31.0 | 42.5 | 42.5 |
| SEAT WIDTH | 18.0 | 18.0 | 18.0 | 18.0 |
| SEAT DEPTH | 16.5 | 16.5 | 16.5 | 17.5 |
| SEAT HEIGHT | 18.0 | 18.0 | 29.0 | 29.0 |
| BACK WIDTH | 18.0 | 18.0 | 18.0 | 18.0 |
| BACK HEIGHT | 14.5 | 14.5 | 14.5 | 14.5 |
| COM/US | 0.9 yds | 0.9 yds | 0.9 yds | 0.9 yds |
| WEIGHT | 15.0 lbs | 16.0 lbs | 17.0 lbs | 18.0 lbs |

All dimensions are in inches

PLASTIC COLORS



a. DL3 b. 1070-GT c. 1076-ST d. 1060-GT e. 1070-GT-US



3211 Jack Northrop Ave.
Hawthorne, CA 90250

PHONE

888.925.SEAT

FAX

866.925.SEAT

EMAIL

sales@9to5seating.com

9to5seating.com



CHOOSE FROM OVER 1,000 TEXTILES

offered by Designtex, Momentum, Maharam, Ultra Fabrics, and the 9to5 Signature® Collection. In the rare case we don't have what you're looking for, we'll upholster your chair in any fabric provided to us!

LIMITED LIFETIME WARRANTY

on all structural and mechanical components.

QUICK SHIP!

Kelley ships in 5 Business Days in eleven plastic colors.