



9to5[®]
s e a t i n g

USER'S GUIDE

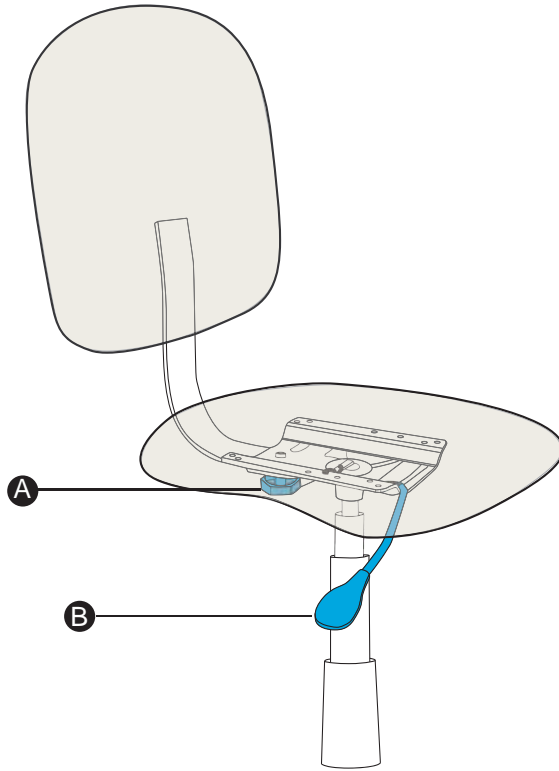
Control Guide

	B2	S1	S2	P1	R1	M1	K1	Y2
2800		•					•	
2810		•					•	
2700		•					•	
2710		•					•	
2600		•					•	
2610		•					•	
2500		•						
2510		•						
2400		•					•	
1960						•		•
1966/1968				•				
1980						•		•
1760			•		•	•		•
1766/1768				•				
1780			•		•	•		•
1725	•		•		•	•		
1726/1728	•			•				
1560								•
1580								•
1425	•		•		•	•		
1426/1428	•			•				
1660	•		•		•	•		
1666/1668	•			•				

Safety Guide

- Insure the gas cylinder is inserted into the control firmly. Improper connection may cause wobbling.
- Choose correct casters for different floor surfaces. We suggest choosing rubber casters for hard or concrete surfaces. For drafting use, we recommend reverse-braking casters for hard floors. See Caster Selection Guide for more details.
- Do not stand on footring
- Do not sit on any part of the chair except the seat.
- Do not sit on arms or backrest
- Improper sitting may cause an imbalance, resulting in bodily injury.
- Do not use chair as stepladder. Use this chair only for seating one person at a time.
- To avoid chair collapse do not remove knobs or screws.
- Do not use chair unless all bolts, screws and knobs are tightly in place.
- Properly dispose of packing materials. Do not use plastic as head covering. It may cause suffocation.
- If any parts are missing, broken, damaged or worn, stop using the chair until repairs are made using factory-authorized parts.
- Do not attempt to make any alterations to chair.
- Do not use chair on uneven floor surfaces. Always use the chair on flat surfaces to prevent accidents.
- 9 to 5 Seating chairs are designed for normal commercial use by persons 250 lbs. or less, single shift use 8 hours per day 5 days a week.
- Enduro series is designed for multiple shift use by persons weighing up to 350 lbs.

Basic - B2 Control



B2 Control Operating Instructions

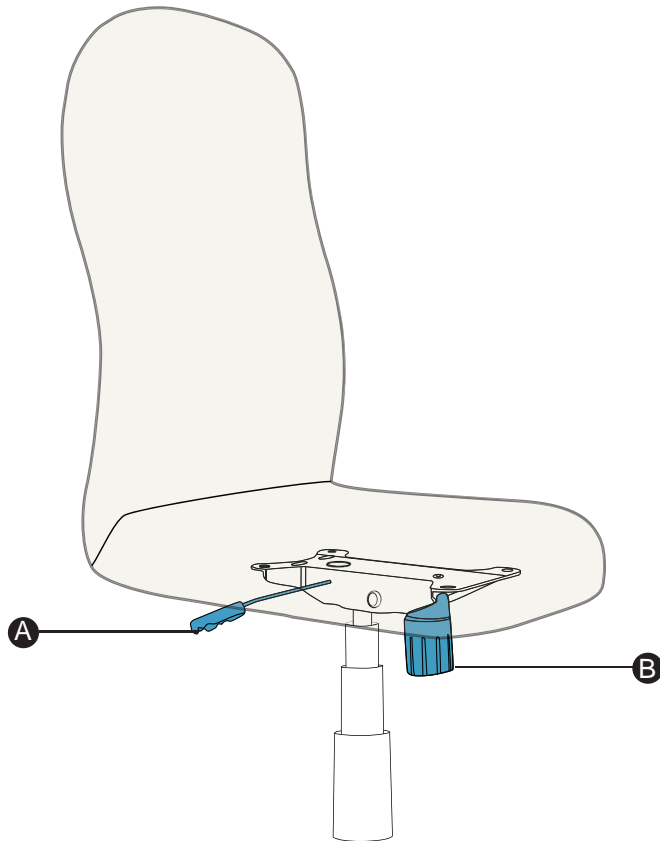
A: Adjustable Back Depth

For custom lumbar support. To adjust, turn knob left (counter-clockwise) to loosen. Move back in or out to desired depth, then turn knob to right (clockwise) to tighten.

B: Seat Height Adjustment

This lever activates the pneumatic cylinder. While seated, lift the lever to decrease the seat height. Release lever when seat reaches desired height. To raise the seat height, remove your weight from the chair and activate lever to increase seat height.

Swivel-Tilt - S1 Control



S1 Control Operating Instructions

A: Seat Height Adjustment

This lever activates the pneumatic cylinder. While seated, lift the lever to decrease the seat height. Release lever when seat reaches desired height. To raise the seat height, remove your weight from the chair and activate lever to increase seat height.

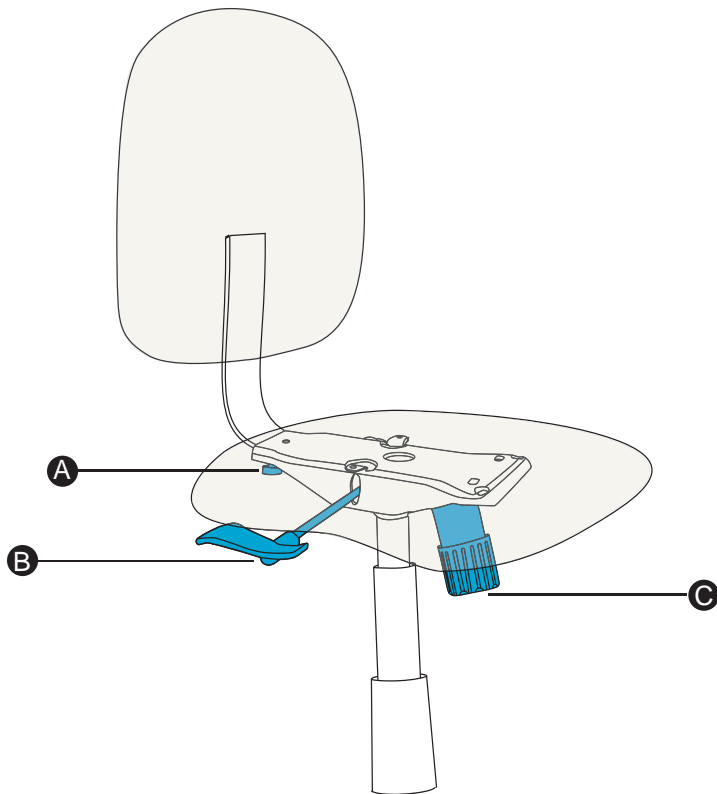
Upright Position Tilt Lock

Locks your chair in full upright position for total task support. Pull the paddle out to unlock and free float. Push the paddle in while upright to lock into position.

B: Tilt Tension

This tension adjustment provides a controlled rocking motion to the chair. Turn the knob right (clockwise) to tighten or left (counter-clockwise) to loosen to suit your weight.

Swivel-Tilt - S2 Control



S2 Control Operating Instructions

A: Adjustable Back Depth

For custom lumbar support. To adjust, turn knob left (counter-clockwise) to loosen. Move back in or out to desired depth, then turn knob to right (clockwise) to tighten.

B: Seat Height Adjustment

This lever activates the pneumatic cylinder. While seated, lift the lever to decrease the seat height. Release lever when seat reaches desired height. To raise the seat height, remove your weight from the chair and activate lever to increase seat height.

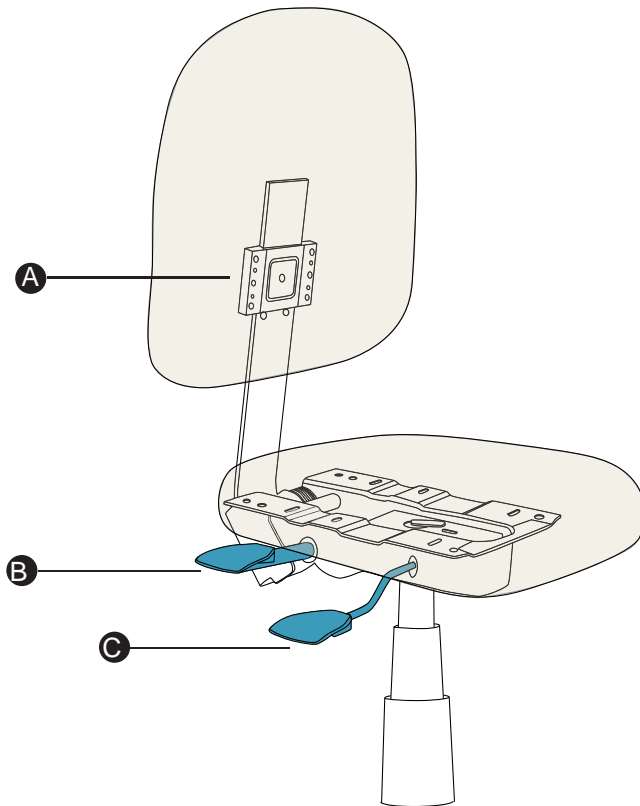
Upright Position Tilt Lock

Locks your chair in full upright position for total task support. Pull the paddle out to unlock and free float. Push the paddle in while upright to lock into position.

C: Tilt Tension

This tension adjustment provides a controlled rocking motion to the chair. Turn the knob right (clockwise) to tighten or left (counter-clockwise) to loosen to suit your weight.

Posture Back - P1 Control



P1 Control Operating Instructions

A: Ratchet Back Height Adjustment

The ratchet back height adjustment allows the user to adjust the back height to the position that provides the most lumbar support. From a seated position, lean slightly forward and use both hands to guide the backrest up. By lifting the back you will hear and feel the ratcheting mechanism working. When the back reaches the top, the ratchet “resets” and the back must be pushed to the bottom to activate the ratchet mechanism.

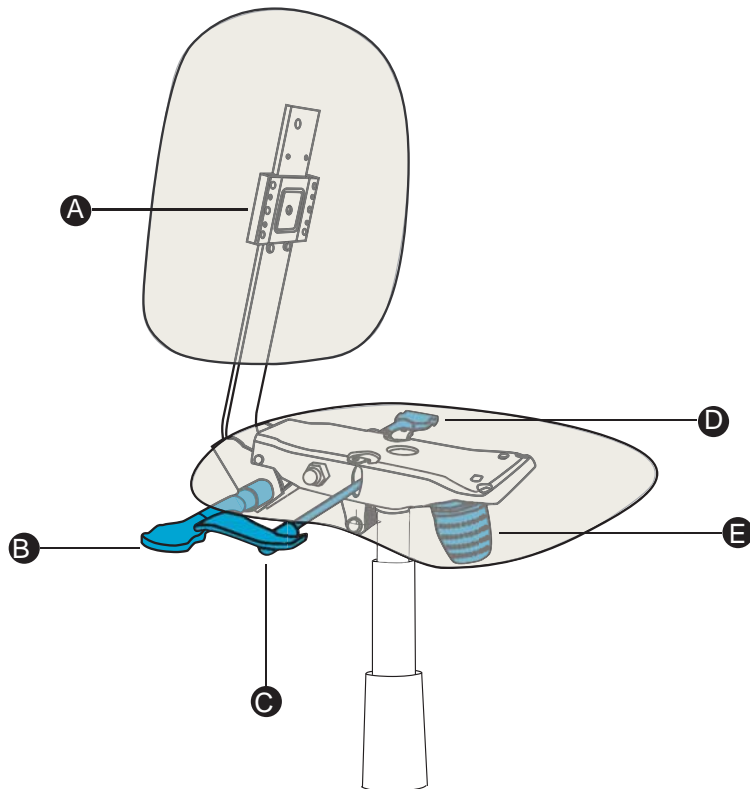
B: Independent Back Angle Adjustment

This rear lever allows the user to adjust the back angle independently of the seat. Adjusting the back angle to the position that provides the most support to the individual user is critical in promoting good posture thus allowing for the most comfort during the workday. Lean back into chair and flip the lever up to allow the backrest to rock freely. Flip the lever down to lock the back into a fixed position.

C: Seat Height Adjustment

This lever activates the pneumatic cylinder. While seated, lift the lever to decrease the seat height. Release lever when seat reaches desired height. To raise the seat height, remove your weight from the chair and activate lever to increase seat height.

Rocking - R1 Control



R1 Control Operating Instructions

A: Ratchet Back Height Adjustment

The ratchet back height adjustment allows the user to adjust the back height to the position that provides the most lumbar support. From a seated position, lean slightly forward and use both hands to guide the backrest up. By lifting the back you will hear and feel the ratcheting mechanism working. When the back reaches the top, the ratchet “resets” and the back must be pushed to the bottom to activate the ratchet mechanism.

B: Independent Back Angle Adjustment

This rear lever allows the user to adjust the back angle independently of the seat. Adjusting the back angle to the position that provides the most support to the individual user is critical in promoting good posture thus allowing for the most comfort during the workday. Lean back into chair and flip the lever up to allow the backrest to rock freely. Flip the lever down to lock the back into a fixed position.

C: Seat Height Adjustment

This lever activates the pneumatic cylinder. While seated, lift the lever to decrease the seat height. Release lever when seat reaches desired height. To raise the seat height, remove your weight from the chair and activate lever to increase seat height.

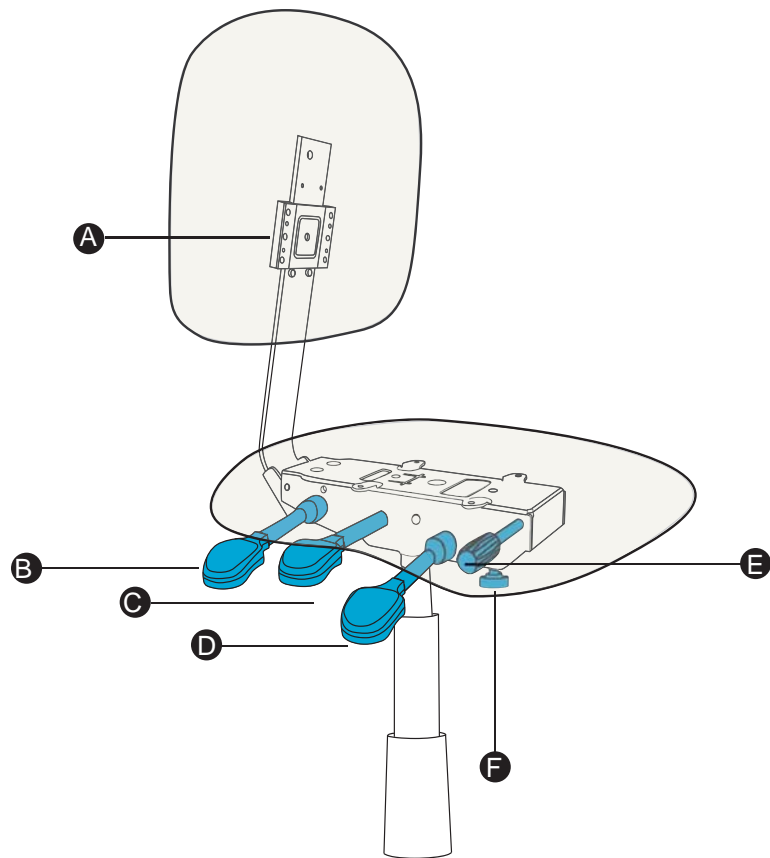
D: Tilt Angle/Rocking Adjustment

This lever allows the user to rock back thereby adjusting the seat angle, once the desired angle is reached the user can push the lever down to lock the tilt angle while performing tasking functions. When rocking back the seat and the back will tilt together as a unit creating the “rocking” function. Keeping the lever up (unlocked) will allow the user to rock back and “free float” which should be used to periodically stretch and rest lower back muscles during the work day.

E: Tilt Tension

This tension adjustment provides a controlled rocking motion to the chair. Turn the knob right (clockwise) to tighten or left (counter-clockwise) to loosen to suit your weight.

Multi-Fuction - M1 Control



M1 Control Operating Instructions

A: Ratchet Back Height Adjustment

The ratchet back height adjustment allows the user to adjust the back height to the position that provides the most lumbar support. From a seated position, lean slightly forward and use both hands to guide the backrest up. By lifting the back you will hear and feel the ratcheting mechanism working. When the back reaches the top, the ratchet “resets” and the back must be pushed to the bottom to activate the ratchet mechanism.

B: Independent Back Angle Adjustment

This rear lever allows the user to adjust the back angle independently of the seat. Adjusting the back angle to the position that provides the most support to the individual user is critical in promoting good posture thus allowing for the most comfort during the workday. Lean back into chair and flip the lever up to allow the backrest to rock freely. Flip the lever down to lock the back into a fixed position.

C: Seat Height Adjustment

This lever activates the pneumatic cylinder. While seated, lift the lever to decrease the seat height. Release lever when seat reaches desired height. To raise the seat height, remove your weight from the chair and activate lever to increase seat height.

D: Tilt Angle/Rocking Adjustment

This forward lever allows the user to rock back thereby adjusting the seat angle, once the desired angle is reached the user can push the lever down to lock the tilt angle while performing tasking functions. When rocking back the seat and the back will tilt together as a unit creating the “rocking” function. Keeping the lever up (unlocked) will allow the user to rock back and “free float” which should be used to periodically stretch and rest lower back muscles during the work day.

E: Forward Tilt Adjustment

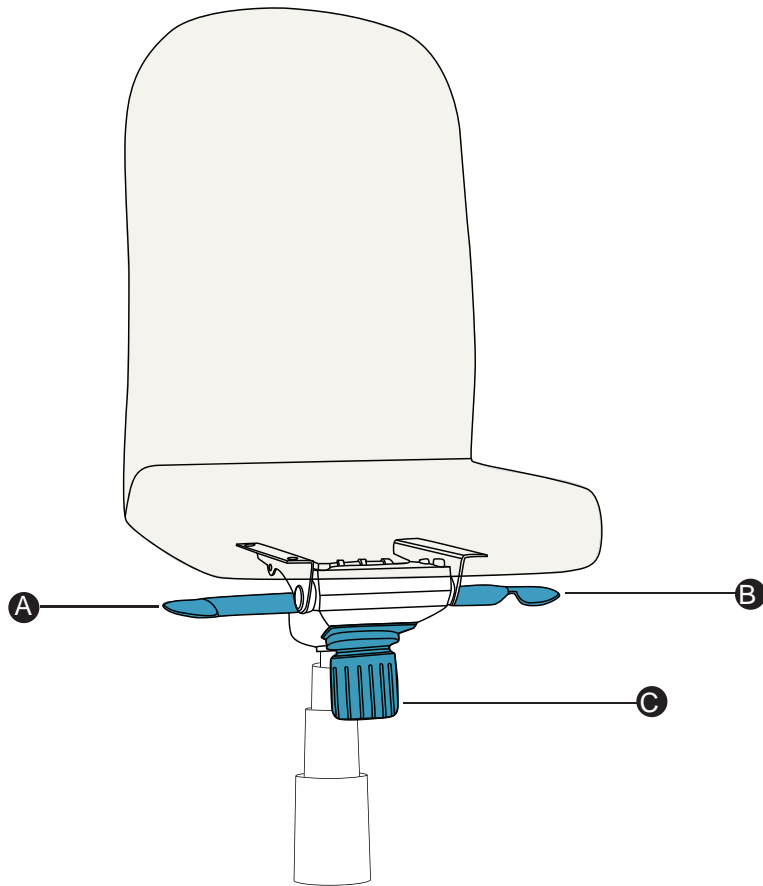
Dial in anywhere between 0 and 6 degrees of forward seat pitch. Lean back into chair and simultaneously rotate this lever forward/clockwise to increase the forward pitch of the seat to provide optimal position for task work. Rotate the lever in a counterclockwise direction to set the seat position to a less forward angle.

Paddle D must be in the up position while adjusting the forward tilt.

F: Tilt Tension

This tension adjustment provides a controlled rocking motion to the chair. Turn the knob right (clockwise) to tighten or left (counter-clockwise) to loosen to suit your weight.

Knee Tilt - K1 Control



K1 Control Operating Instructions

A: Seat Height Adjustment

This lever activates the pneumatic cylinder. While seated, lift the lever to decrease the seat height. Release lever when seat reaches desired height. To raise the seat height, remove your weight from the chair and activate lever to increase seat height.

B: Tilt Angle/Rocking Adjustment

Flip lever down to lock tilt angle in one of five positions. To rock freely leave paddle in the up position.

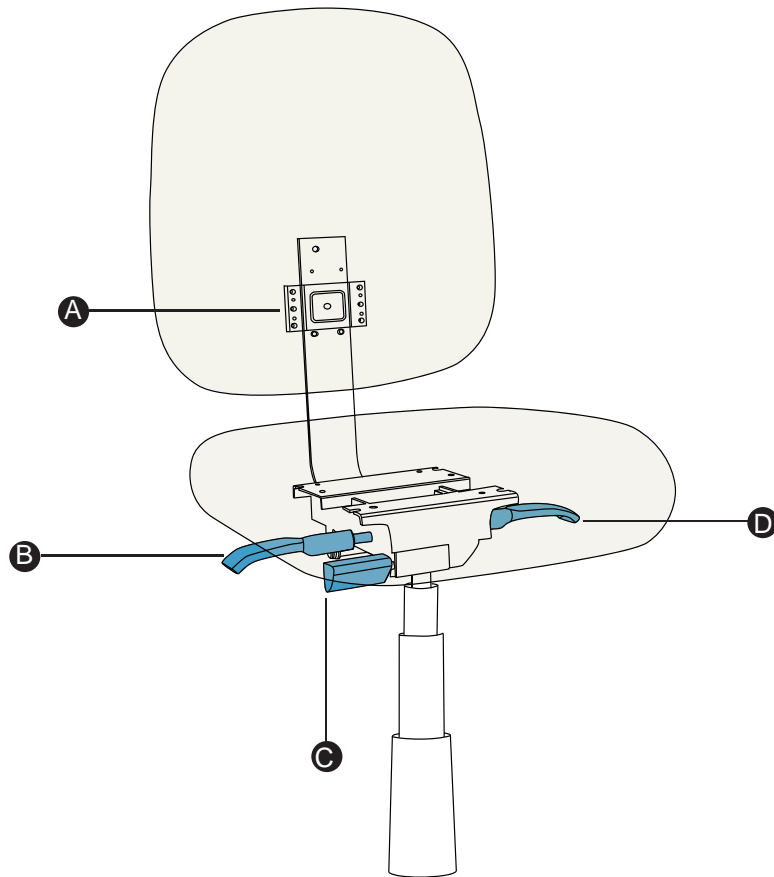
Safety Lock Return

When seated and in a locked tilt position, apply slight weight to rock back and pull paddle up to unlock.

C: Tilt Tension

This tension adjustment provides a controlled rocking motion to the chair. Turn the knob right (clockwise) to tighten or left (counter-clockwise) to loosen to suit your weight.

Synchro Tilt - Y2 Control



Y2 Control Operating Instructions

A: Ratchet Back Height Adjustment

The ratchet back height adjustment allows the user to adjust the back height to the position that provides the most lumbar support. From a seated position, lean slightly forward and use both hands to guide the backrest up. By lifting the back you will hear and feel the ratcheting mechanism working. When the back reaches the top, the ratchet "resets" and the back must be pushed to the bottom to activate the ratchet mechanism.

B: Seat Height Adjustment

This lever activates the pneumatic cylinder. While seated, lift the lever to decrease the seat height. Release lever when seat reaches desired height. To raise the seat height, remove your weight from the chair and activate lever to increase seat height.

C: Tilt Tension

This tension adjustment provides a controlled rocking motion to the chair. Turn knob tighter or looser to suit your weight.

D: Synchronized Tilt Control

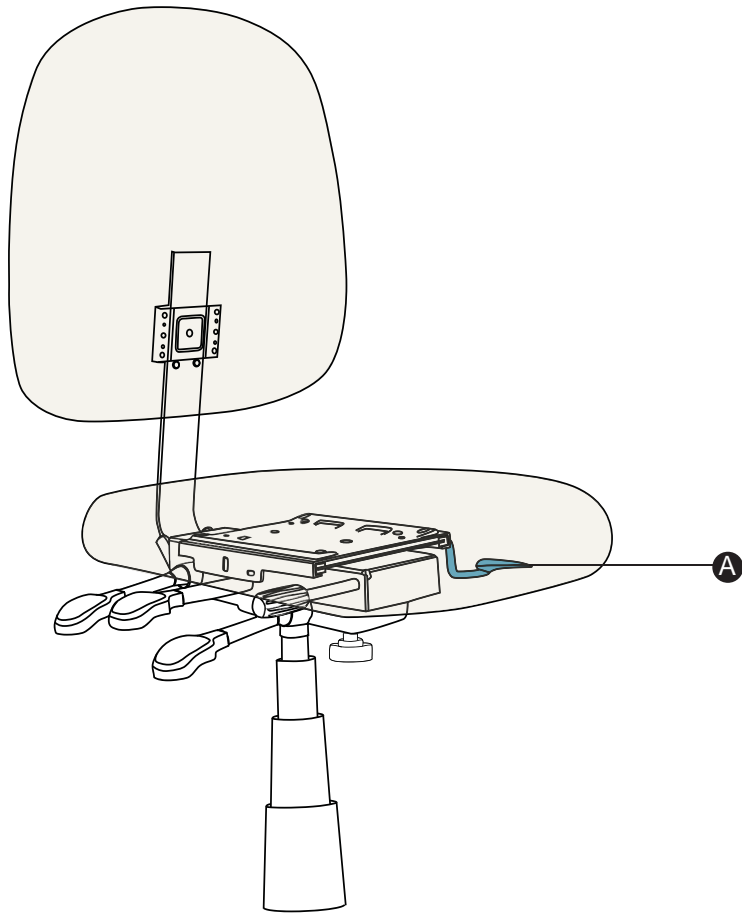
When this lever is down the seat and back tilt in a synchronized movement at a 2:1 back to seat tilt ratio. Flip the lever up to lock the tilt angle in one of five positions.

Safety Lock Return

When seated and in a locked tilt position, apply slight weight to rock back and pull paddle up to unlock and disengage.

Seat Slider - SS2 Control Option

* ONLY available with P1, R1, M1 and Y2



SS2 Control Option Operating Instructions

A: Seat Depth Adjustment

Located on the front left side of the control when seated, the seat slider offers an additional 2.5" of seat depth adjustment. While lifting paddle up towards seat bottom, slide yourself forward or back.



9 to 5 Seating products are manufactured with meticulous attention to detail to achieve a level of quality that is free from defects in material and workmanship. In an effort to stand behind this philosophy, 9 to 5 Seating warrants to the original user of the product and from the original date of purchase, the following:

FOR ALL SERIES EXCEPT ENDURO

- Lifetime Warranty to the original end user, the company will repair or replace, at its option, without charge, defective structural and mechanical parts. This warranty is for single shift, standard commercial usage, defined as a standard 8 hour work day, five days a week, when the product is used by a person weighing less than 250 lbs.
- Upholstery fabric and foam is warranted against wear through and deterioration during normal usage for a period of five (5) years. However, the company does not warrant leather against routine scratching and scuffing, as all leather is subject to minor blemishes during use. COM and COL are not warranted. Due to natural variations in material, furniture containing leather is sold subject to normal variations and/or irregularities of color, texture, and grain.

FOR ENDURO SERIES

- 9 to 5 Seating warrants the Enduro series of multi-shift chairs for a period of ten (10) years to the original end user. The company will repair or replace, at its option, without charge, defective structural and mechanical parts. This warranty is for multi-shift applications with persons weighing less than 350 lbs.
- Upholstery fabric with an abrasion resistance performance rating of 150,000 double rubs or more and foam are warranted against wear through and deterioration for a three (3) year period of multiple shift use.

Should any parts fail during normal use within the applicable warranty period, you must first provide us with a description of the failure and proof of purchase and if necessary you may need to return the defective part freight or other shipping charges prepaid to 9 to 5 Seating for inspection, repair and/or replacement, together with a copy of original sales receipt. Labor and service is not covered under warranty.

Send Parts to:

9 to 5 Seating
Warranty Department
2029 E. Cashdan St.
Rancho Dominguez, CA 90220

9 to 5 Seating will inspect the part in question, repair or replace at its option any defective part at no charge to the original purchaser and return defective item thereafter.

This warranty does not apply to Product or parts of Product that have been subjected misuse or abuse, accident, alteration, or which have been damaged in transit. You agree to indemnify and hold harmless 9 to 5 Seating, its officers, directors, shareholders, employees, and agents from any actions, claims, demands, damages, liabilities, costs, and strict liability in tort or contract, or any other legal theory arising out of the misuse or abuse, alteration, or damage in transit of the Product.

EXCEPT AS OTHERWISE PROVIDED, 9 TO 5 SEATING MAKES NO OTHER WARRANTIES, EXPRESSED OR IMPLIED, INCLUDING BUT NOT LIMITED TO THE WARRANTIES OF MERCHANTABILITY AND FITNESS FOR A PARTICULAR PURPOSE.

Limitation of Liability

Under no circumstance, including but not limited to breach of contract, breach of warranty or negligence, shall 9 to 5 Seating be liable for lost profits, loss of goodwill, stored data, general, special, consequential or exemplary damages, even if 9 to 5 Seating had notice of these damages or they were foreseeable. 9 to 5 Seating shall not be responsible for verifying dealers's or customer's description of needs, data, or the fitness for a particular purpose of goods. 9 to 5 Seating's Liability in all cases shall be limited to repair or replacement of the defective parts, or the purchase price of the product. Damages resulting from misuse, abuse, alteration, negligence, or accidents are not covered under this warranty.

9to5[®]

s e a t i n g

A 2029 E. Cashsan St. • Rancho Dominguez, CA 90220

P 800.872.9787 F 866.200.0782

E sales@9to5seating.com

W www.9to5seating.com

© 2007 D3, Inc.
9 to5 Seating is a registered trademark